

C616W

30" 6MP Integrated Dual-screen Display

Easy viewing diagnostic images side by side in one screen



Backlight Stabilization System

Brightness stabilization of the display can be maintained throughout entire life cycle.



Continuous Quality Assurance System

Display accuracy of medical image could be continuously and automatically assured.



Primary Screen Adaptation

In workstation, doctors can easily concentrate on the primary screen by having auto dimmed luminance of neighbor image.



Compliant with DICOM Standard

Medical images including the most subtle details can be display precisely, keep display consistency between different monitors and imaging modalities, to ensure diagnostic accuracy.



QA Software

Guarantee stable DICOM grayscale images and consistency of the display in real-time.



Ambient Light Adaptive System

Brightness can be adjusted to proper level automatically to ensure display comply with DICOM standard in any ambient environment.



Independent Gamma Function

Independent Gamma function makes it possible to adjust proper luminance on different split screens based on the display content.



Uniformity Calibration Technology

Balance the fluctuations in luminance and chromaticity on different parts of the screen to contribute smoother images.



Intergrated Dual-screen Function

View images side by side on one screen.



Low Blue Light Technology

Significantly reduce the risk of macular degeneration caused by blue light.

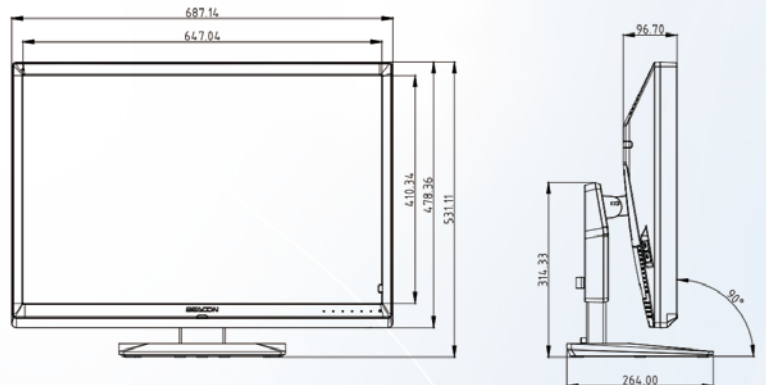
Application

CR/DR	DSI	CT	MR	PET/CT	X-RAY
DSA	Image fusion	Nuclear medicine			

Technical Specification

Model	C616W
Display size	30"
Display technology	IPS
Support color	1.07 Billion
Resolution	3280 × 2048
Pixel pitch	0.197 × 0.197 mm
Brightness	1300 cd/m2 Typ.
Calibration brightness	500 cd/m2 Typ.
Contrast	2000:1 Typ.
Viewing angle	178° Typ.
Response time	Tr : 13ms Typ. Tr : 15ms Typ.
Input signal interface	Display Port: 20 pin*2 DVI-D : 24 pin*2 VGA:D-Sub 15 pin
Output signal interface	/
Dimension	687 (W) × 531-631 (H) × 264 (D) mm
Net weight	15.5 kg
Stand mounting	VESA 100 × 100
Power supply	DC 24V
Power consumption	160W MAX
Power saving	EPA, VESA
MTBF	> 50,000 h
Protection rating	IP20

* All specifications are subjected to change without prior notice.



Shenzhen Beacon Display Technology Co., Ltd.

<https://en.beacon-display.cn>

Tel: +86 755 3686 8362 Fax: +86 755 2699 5755

15F, Building 6, Hengda Shishang Huigu(East), Fulong Road, Dalang Subdistrict, Longhua, Shenzhen, 518109 China